

Oct. 24, 1961

G. K. CHRISTIANSEN
TOY BUILDING BRICK

3,005,282

Filed July 28, 1958

2 Sheets-Sheet 1

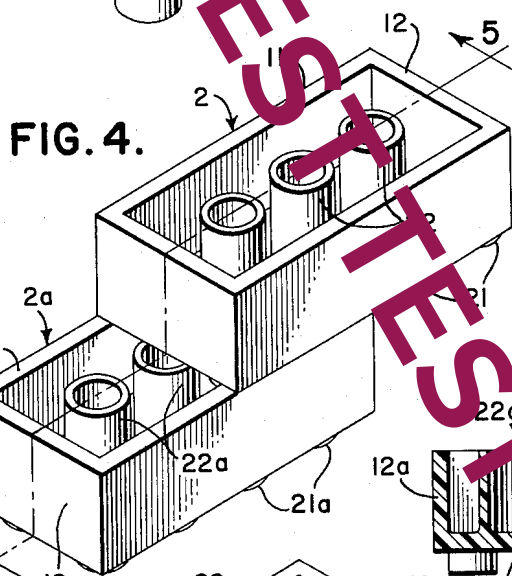
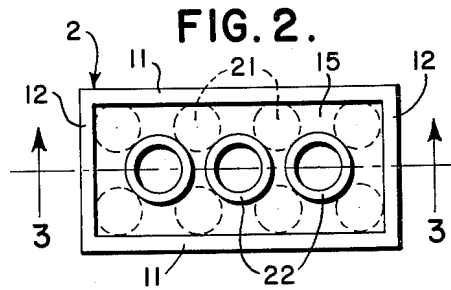
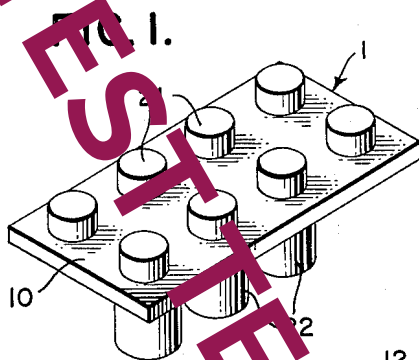


FIG. 3.

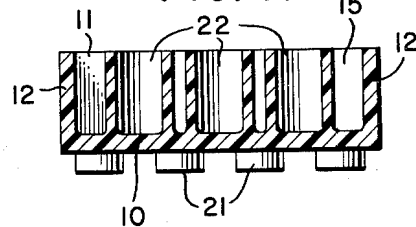


FIG. 5.

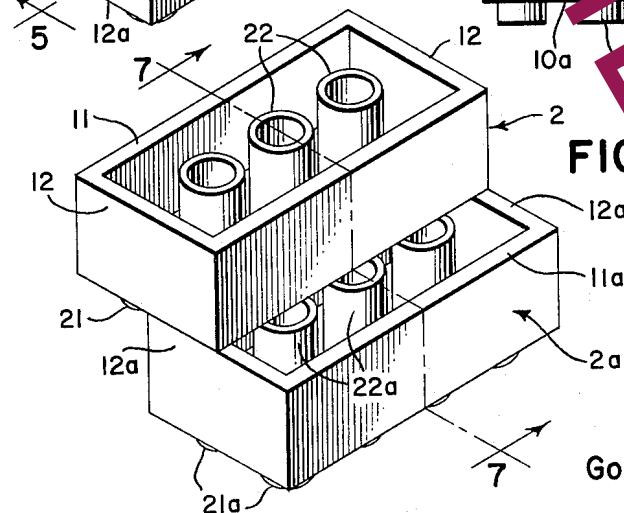
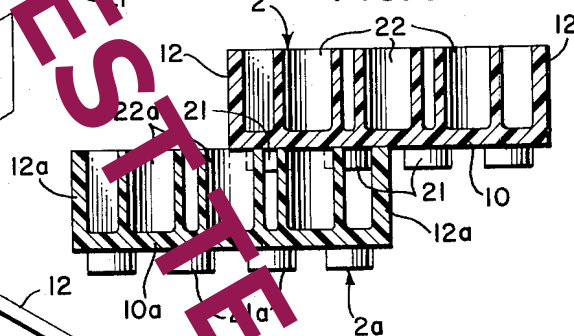


FIG. 6.

INVENTOR
Godtfred Kirk Christensen

BY
Stevens, Davis, Muller & Mosher
ATTORNEYS